

WIRING SOLUTION FOR FIRST SOLAR SERIES 6

YOUR BEST CHOICE FOR FIRST SOLAR



HIS CONNECT SERIES 6 BEST WIRING SOLUTION FOR FIRST SOLAR SERIES 6


NNNNNNNNNNNN


Put your trust in HIS Renewables, experts in everything to do with connecting and cabling of PV installations of any size.




REDUCE COSTS. RAISE PROFIT.

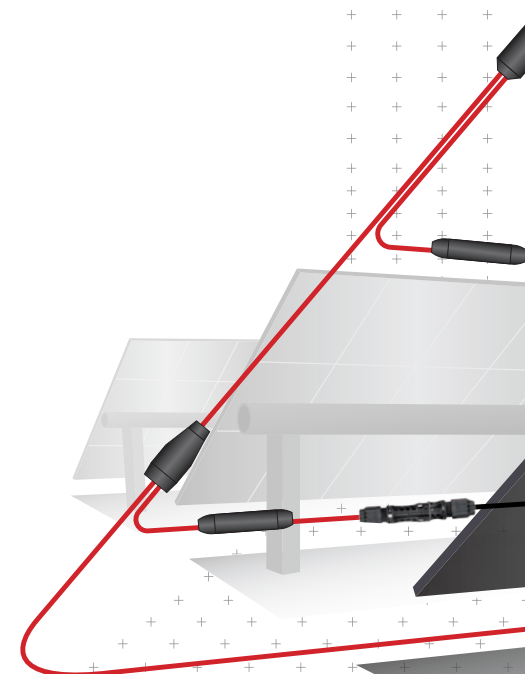
By using our pre-assembled components, you reduce manual labor on site, avoid installation errors and malfunctions, and thus ensure the best possible PV system efficiency.

 **OPTIMIZED FOR YOUR FIRST SOLAR SYSTEM**
The best cost-performance ratio by matching the cabling design to your plant components as well as a reduction in installation time by using ready to use components. (see page 25 of the HIS-Connect-Brochure)

 **QUALITY CONFORMING TO NORMS**
HISkon® stands for distinctly sorted connectors on module and inverter sides as well as fully automated welding and crimp processes including quality controls in our in-house test laboratory. (see page 25 of the HIS-Connect-Brochure)

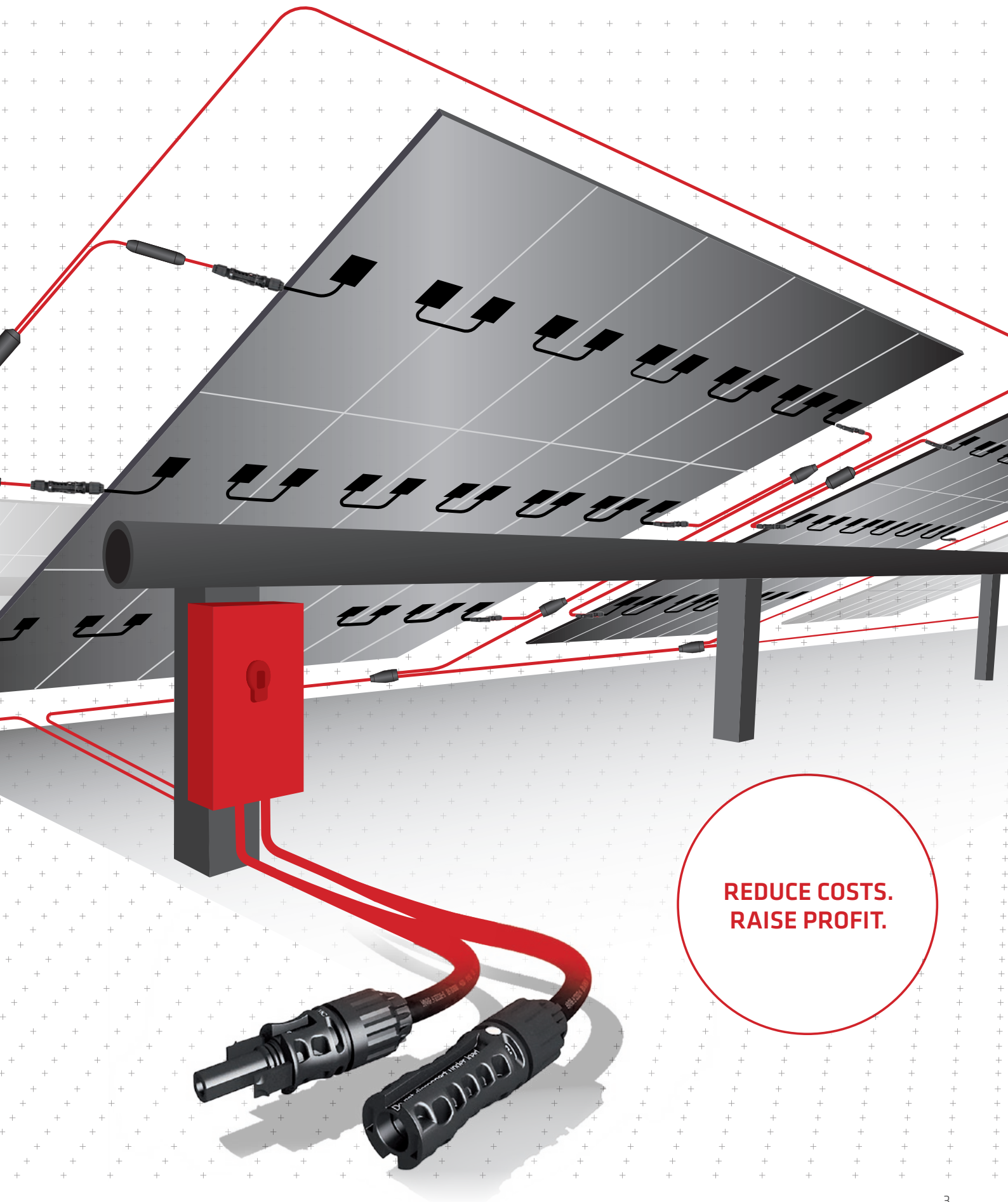
 **100% COST CONTROLS**
A reliable pre-calculation, numerous optimization possibilities and the effective prevention of offcuts and wastage provide for minimum expenditure in the installation.

 **TIME-SAVING SOLUTIONS**
Installation-ready Plug and Play components reduce the installation costs and save a timeintensive and costly fault-finding or correction during operation.



HISCONNECT PLUS[®]

wiring solution for solar business



**REDUCE COSTS.
RAISE PROFIT.**

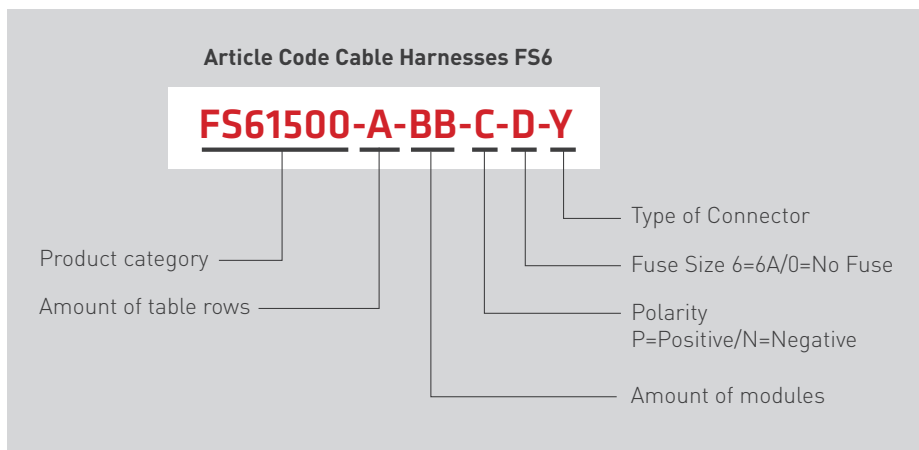
HISkon® Series 6

Plug & Play cable harnesses

NNNNNNNNNNNN

Thanks to pre-assembled cable harnesses, produced partly automated, delivered ready for installation, you reduce assembly time on site to a minimum. Manual assembly, costly cable waste and time-intensive troubleshooting belong to the past.

REDUCE COSTS BY: EASY INSTALLATION, ERROR AVOIDANCE, REDUCTION OF THE CABLE EXPENSES AND WASTE



Construction	
Cable	HIKRA solar cable H1Z2Z2-K acc. EN50618; Minimum length between splitters and connector: 160mm
Termination of splitter	Monitored resistance welding process
Molding	Specialized compound; UV-stabile
Connector	IMC-EV02
Options	Optionally: Including String-diodes or Inline-fuses (Please refer to specific technical characteristics)

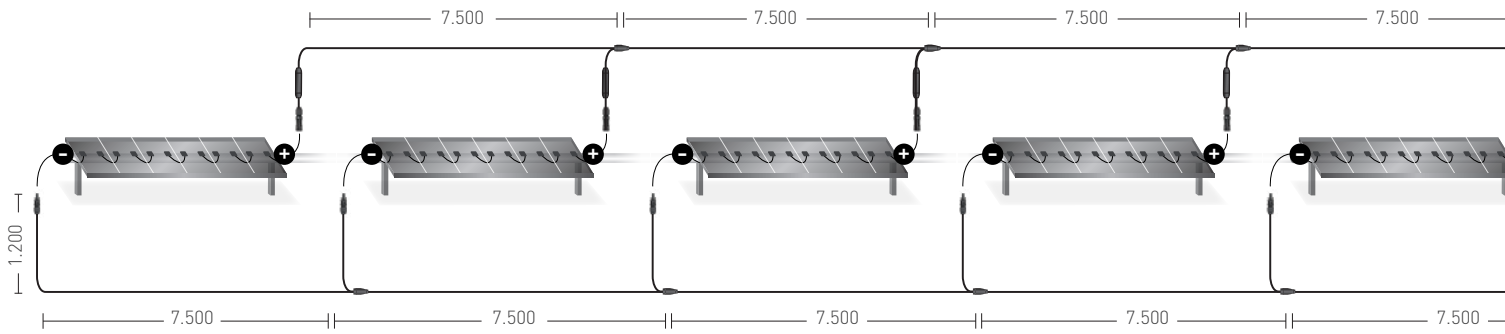
Technical characteristics	
Nominal voltage	1500V DC
Max. current ampacity	Without connectors, Single layed, free in air at 90°C: 4,0mm ² → 39,5 A; 6,0mm ² -> 49,7 A; 10,0mm ² -> 69,58A* acc. IEC 60364-5-52.
IP-class of cable splitter	IP65/68 (1m/24h) [Take note of connector´s IP-protection!]
Contact resistance of HISkon splitter without connector	< 0,1mΩ
Protection class	II [reinforced Insulation] acc. IEC 61140
Flame class	Self-extinguishing UL94-V2
Temperature range	Ambient temperature -40° C to +90°C (without mechanical impact)



**HIGHEST
RELIABILITY
THANKS TO
AUTOMATED
PRODUCTION**

FS6 1500 V-1-ROW-SYSTEM 6 STRING HARNESS

For cabling 6 tables with 6 modules each in a 1-row system

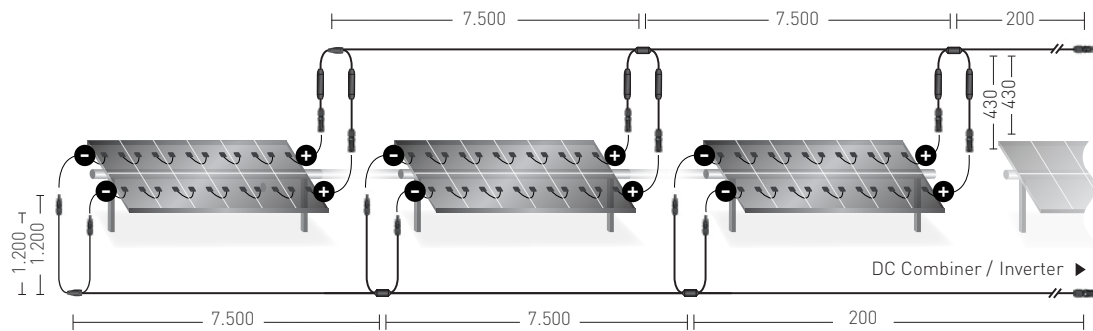


Article Code

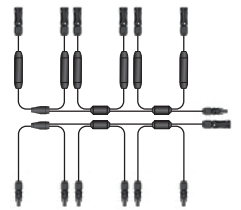
FS61500-1-36-P-6-EV02 | FS61500-1-36-N-6-EV02 | FS61500-1-36-P-0-EV02 | FS61500-1-36-N-0-EV02

FS6 1500 V-2-ROW-SYSTEM 6 STRING HARNESS

For cabling 3 tables with 12 modules each in a 2-row system



Total length \oplus : 15.200



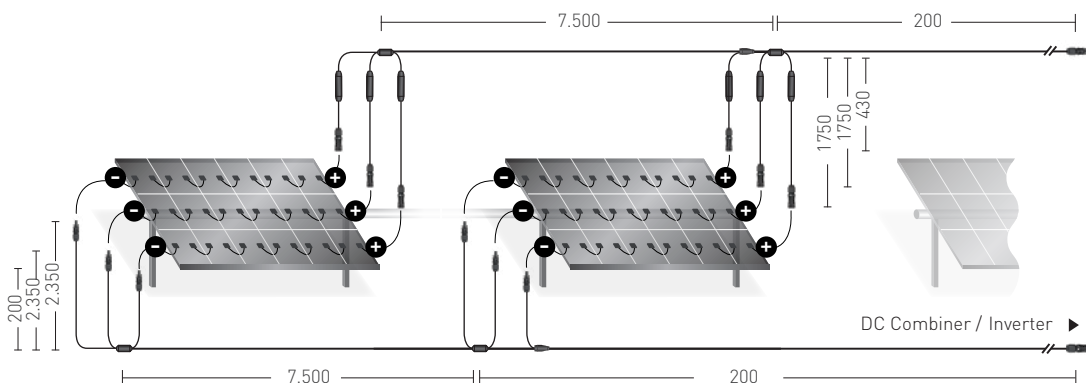
Total length \ominus : 15.200

Article Code

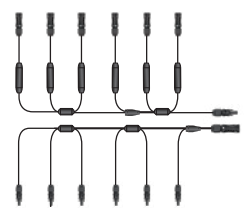
FS61500-2-36-P-6-EV02 | FS61500-2-36-N-6-EV02 | FS61500-2-36-P-0-EV02 | FS61500-2-36-N-0-EV02

FS6 1500 V-3-ROW-SYSTEM 6 STRING HARNESS

For cabling 2 tables with 18 modules each in a 3-row system



Total length \oplus : 7.700

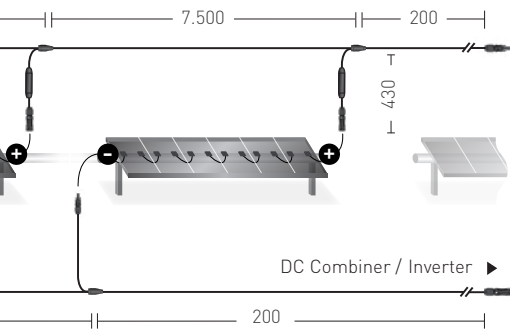


Total length \ominus : 7.700

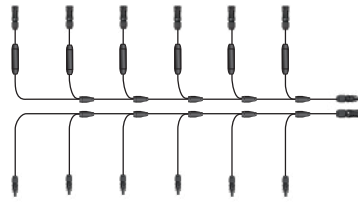
Article Code

FS61500-3-36-P-6-EV02 | FS61500-3-36-N-6-EV02 | FS61500-3-36-P-0-EV02 | FS61500-3-36-N-0-EV02

All values in millimeter (mm)



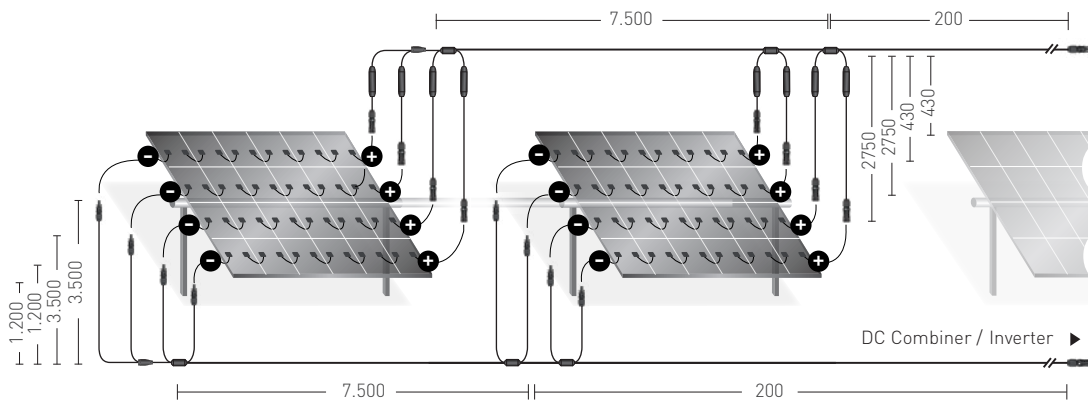
Total length \oplus : 37.700



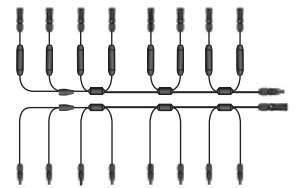
Total length \ominus : 37.700

FS6 1500 V-4-ROW-SYSTEM 48 MODULES

For cabling 2 tables with 24 modules each in a 4-row system



Total length \oplus : 7.700



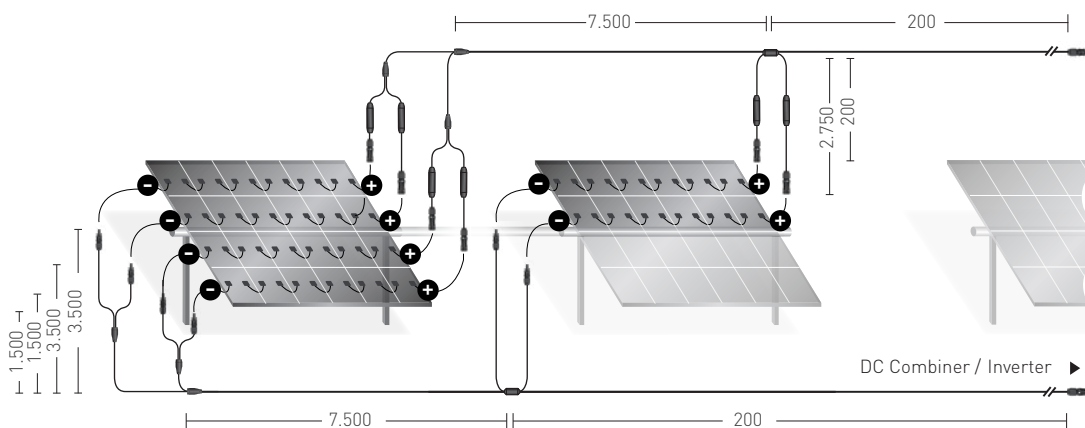
Total length \ominus : 7.700

Article Code

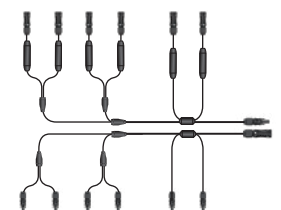
FS61500-4-48-P-6-EV02 | FS61500-4-48-N-6-EV02 | FS61500-4-48-P-0-EV02 | FS61500-4-48-N-0-EV02

FS6 1500 V-4-ROW-SYSTEM 36 MODULES

For cabling 2 tables with 24 and 12 modules each in a 4-row system



Total length \oplus : 7.700



Total length \ominus : 7.700

Article Code

FS61500-4-36-P-6-EV02 | FS61500-4-36-N-6-EV02 | FS61500-4-36-P-0-EV02 | FS61500-4-36-N-0-EV02

HISbox® Series 6

DC/AC String boxes

for First Solar Series 6



Monitor and optimize the yield of your system with our HISbox® string boxes. We develop and manufacture for you boxes with high-quality components optimized exactly to your system. Thanks to our industrial production process and product testing in the HIS laboratory, we ensure maximum quality and consequently your system profitability.



PROJECT SPECIFIC DESIGN

HISbox® string boxes are always designed for specific projects: For this purpose we clarify your need of protection-, switching- and measuring-devices in accordance with country-specific regulations.



TESTED QUALITY

From the planning software to the management system, heating tests in In-house test laboratories, routine testing according to IEC standard: With HIS string boxes nothing is left to chance.



SIMPLEST INSTALLATION

String boxes are ready for use, i.e. with pre-assembled connection cables or PV connectors on the enclosure and reduce the installation time to a minimum.



HIGHEST RELIABILITY

HIS lays the foundation for a long and maintenance-free operation with the HISbox solutions by using standardized, certified and from HIS Renewables additionally tested components.



© Courtesy of First Solar, Inc.



HISBOX® DC COMBINER SERIES 6

HISBOX® DC COMBINER POWER PLANT

Item nr.	HDC-04-08-FF-011	HDC-04-10-FF-011	HDC-04-12-FF-011	HDC-04-14-FF-011	HDC-04-16-FF-011	HDC-04-18-FF-011	HDC-04-18-FF-011
Max. String input	8	10	12	14	16	18	20
Max. rated current	250A	250A	250A	315A	315A	400A	400A
Loadbreak switch	2-poles; DC-21B (IEC60947)						
Fuse links	Fusing plus and/or minus pole with fuse links gPV 10x38mm (acc. IEC 60269-6)						
Surge arrester	In=15kA; I _{max} =40A(valid for Type 2 or Type 1+2)						
DC output and termination	M8 tubular cable lug (e.g. 35-120mm ² Cu /Al)			M12 tubular cable lug up to 400mm ² or 2x240mm ² per pole			
Installation	Outdoor, shaded (protected from rain and direct sunlight), up to IP65						
Standards	CE-compliant acc. IEC 61439-1/-2						

HISBOX® MONITORING 1500V

OPTIMIZE YOUR YIELDS AND PROTECT YOUR SYSTEM WITH HISBOX-MONITORING.

Optimize your revenue by using high quality measurement technology. The identification of residual images is therefore enabled on string levels. On the one hand, this reduces the maintenance costs and at the same time, increases the operational reliability and cost effectiveness of your plant.



HISCONNECT PLUS®

NNNNNNNNNNNN

The wiring solution for First Solar SERIES 6



© Courtesy of First Solar, Inc.

**REDUCE COSTS.
RAISE PROFIT.**

Firmenzentrale Deutschland

HIS Renewables GmbH
Siemensstraße 4
64760 Oberzent

T +49 6068 9314 400
F +49 6068 9314 411
E info@his-solar.de

Büro Spanien

HIS Renewables
Avenida de Brasil 17
Madrid, 28020

T +34 634 285 033
E carlos.fornes@his-solar.de

Büro Frankreich

HIS Renewables
15 Avenue Émile Zola
74100 Annemasse

T +33 6 23 29 32 46
E guillaume.picat@his-solar.de

Büro Türkei

HIS Solar Sistemleri A.Ş
Alsancak Mah. 1479 Sk. N:15/17
Kristal 2 İş Merkezi K:3 D:17
35220 Konak - İzmir

T +90 232 422 09 31
E info@his-solar.com.tr

www.his-solar.com

team@his-solar.de

Edition 07/2018 © 2018 by HIS Renewables GmbH. All rights reserved

